



We build a better future

Robex FRONT SHOVEL EXCAVATOR

800-7A FS

 **HYUNDAI**
HEAVY INDUSTRIES EUROPE
www.hyundai.eu

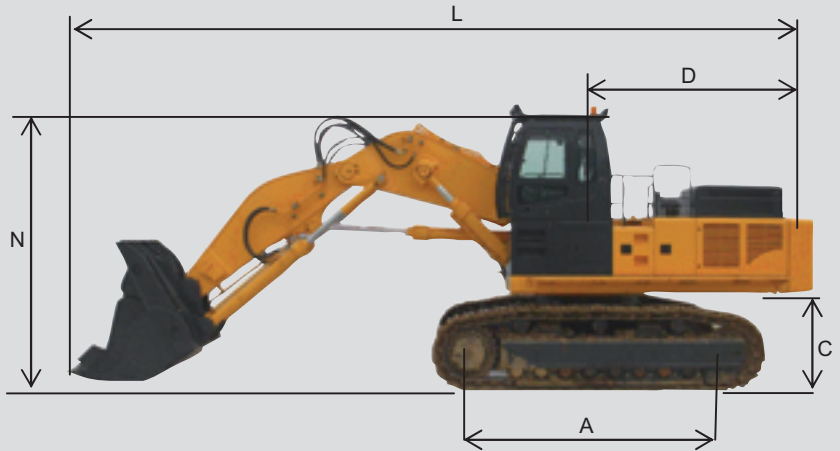
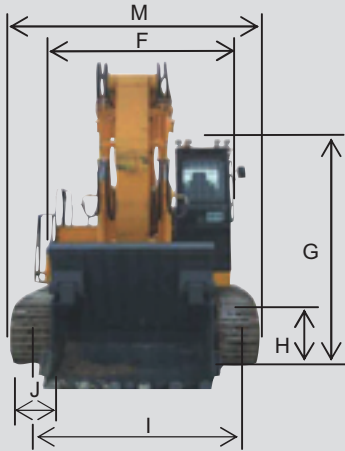


FRONT SHOVEL EXCAVATOR

800-7A FS

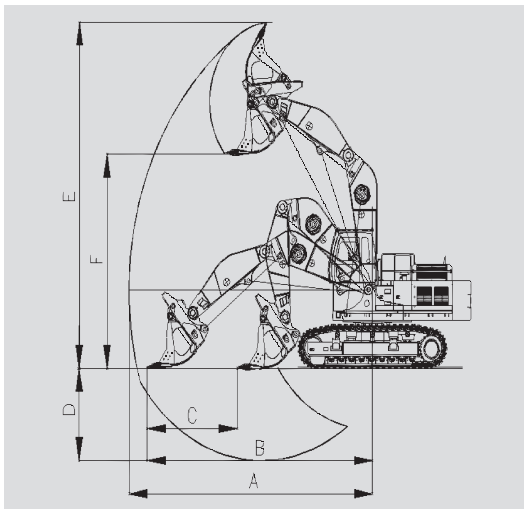
Based on the undercarriage and upper structure of R800-7A, this Front Shovel excavator can rely on a wide range of extensively tested systems and components. Hyundai well-know expertise in excavator manufacturing, has been put to use to successfully develop the front shovel boom, arm and bucket of R800-7A FS. Noise and emission levels are limited despite a 497 HPTIER III Cummins QSX15 engine delivering the required power.

Dimensions



ITEMS			R800-7A FS
Operating weight	kg		86,500
Engine power	HP/rpm (net)		497 / 1,800
Boom length	mm		4,600
Arm length	mm		3,500
Bucket Capacity	m ³		4.5
Overall Length	L	mm	13,700
Overall Width	M	mm	4,395
Height	N	mm	4,720
Tumbler Distance	A	mm	4,630

ITEMS			R800-7A FS
Track Gauge	I	mm	3,500
Shoes Width	J	mm	700
Swing Radius	D	mm	4,200
Ground Clearance	H	mm	880
Swing Speed	rpm		6,3
Travel Speed (low / high)	Km/hr		2.6 / 4.0
Fuel Tank Capacity	Liter		940
Hydraulic Tank Capacity	Liter		450



Working Range			
ITEMS			R800-7A FS
Max. Digging Reach	A	mm	10,190
Digging Reach on Ground Level	B	mm	9,730
Max. Level Crowd Distance	C	mm	3,730
Max. Digging Depth	D	mm	2,710
Max. Digging Height	E	mm	11,510
Max Dumping Height	F	mm	7,270

HYUNDAI | CONSTRUCTION EQUIPMENT
HEAVY INDUSTRIES CO.,LTD.

Head Office(Sales Office)
1 JEONHA-DONG, DONG-GU, ULSAN, KOREA Tel (82) (52) 202-7970, 7729, 0971 Fax (82) (52) 202-7979, 7720

U.S. Operation : Hyundai Construction Equipment U.S.A., Inc.
955 ESTES AVENUE, ELK GROVE VILLAGE IL., 60007 Tel (1) 847-437-3333 Fax (1) 847-437-3574

European Operation : Hyundai Heavy Industries Europe N.V.
VOSSENDAAL 11, 2440 GEEL, BELGIUM Tel (32) 14-562200 Fax (32) 14-593405-06

India Operation : Hyundai Construction Equipment India PVT., Ltd
PLOT NO.A-2, CHAKAN INDUSTRIAL AREA, VILL.- KHALUMBRE.
TALUK.- KHED., DIST.- PUNE 410 501, INDIA Tel (91) 21-3530-1700 Fax (91) 21-3530-1712

PLEASE CONTACT